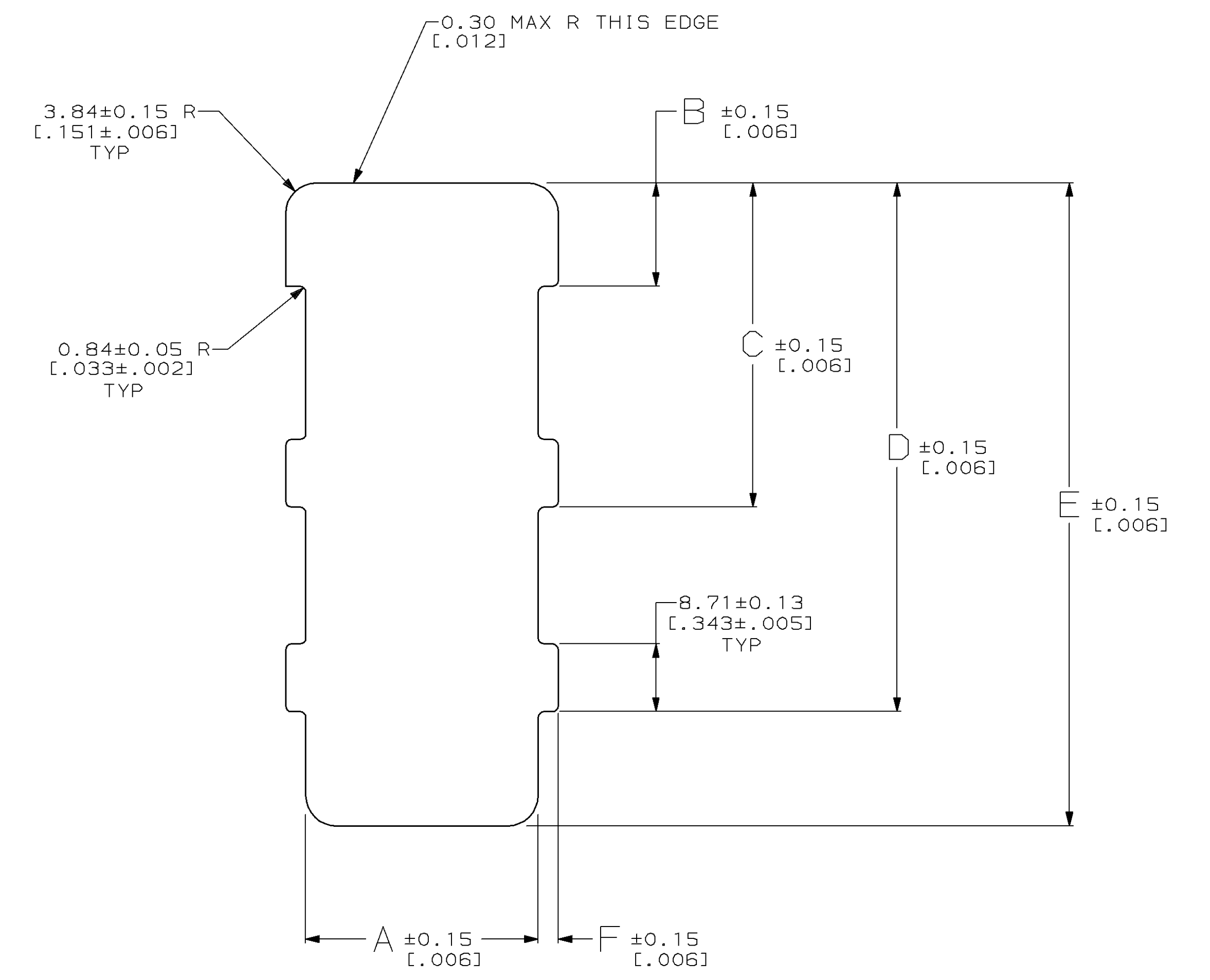
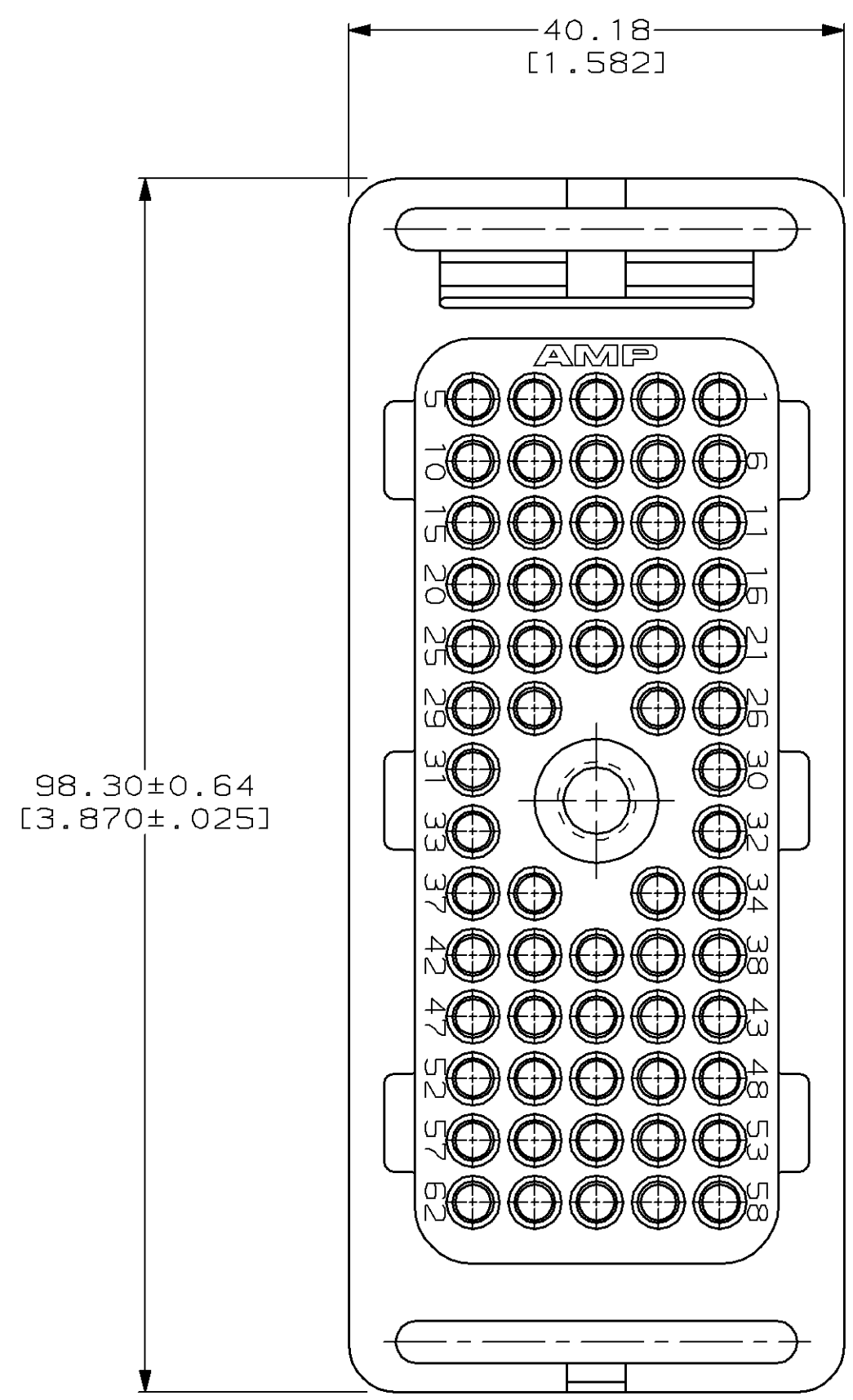
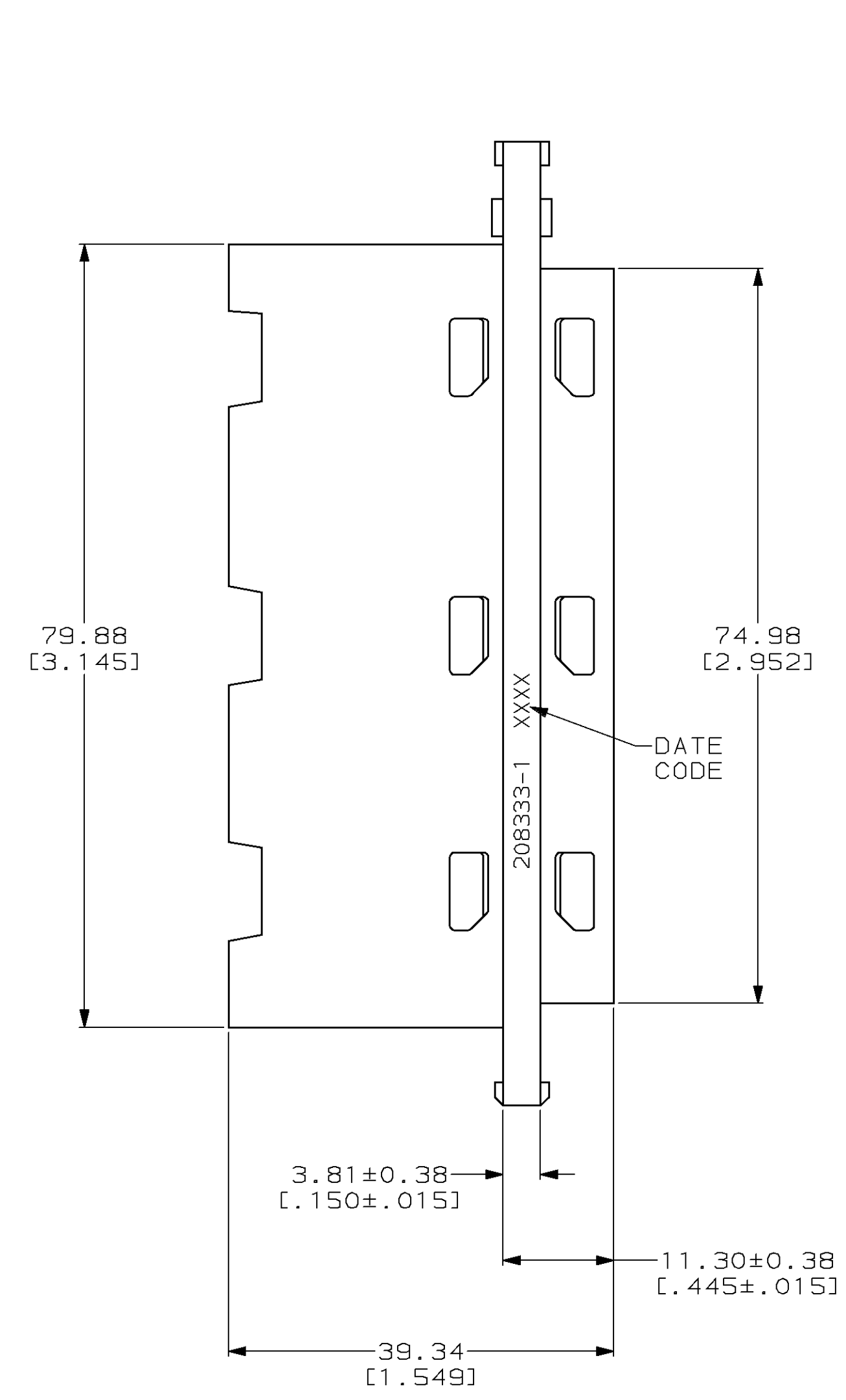
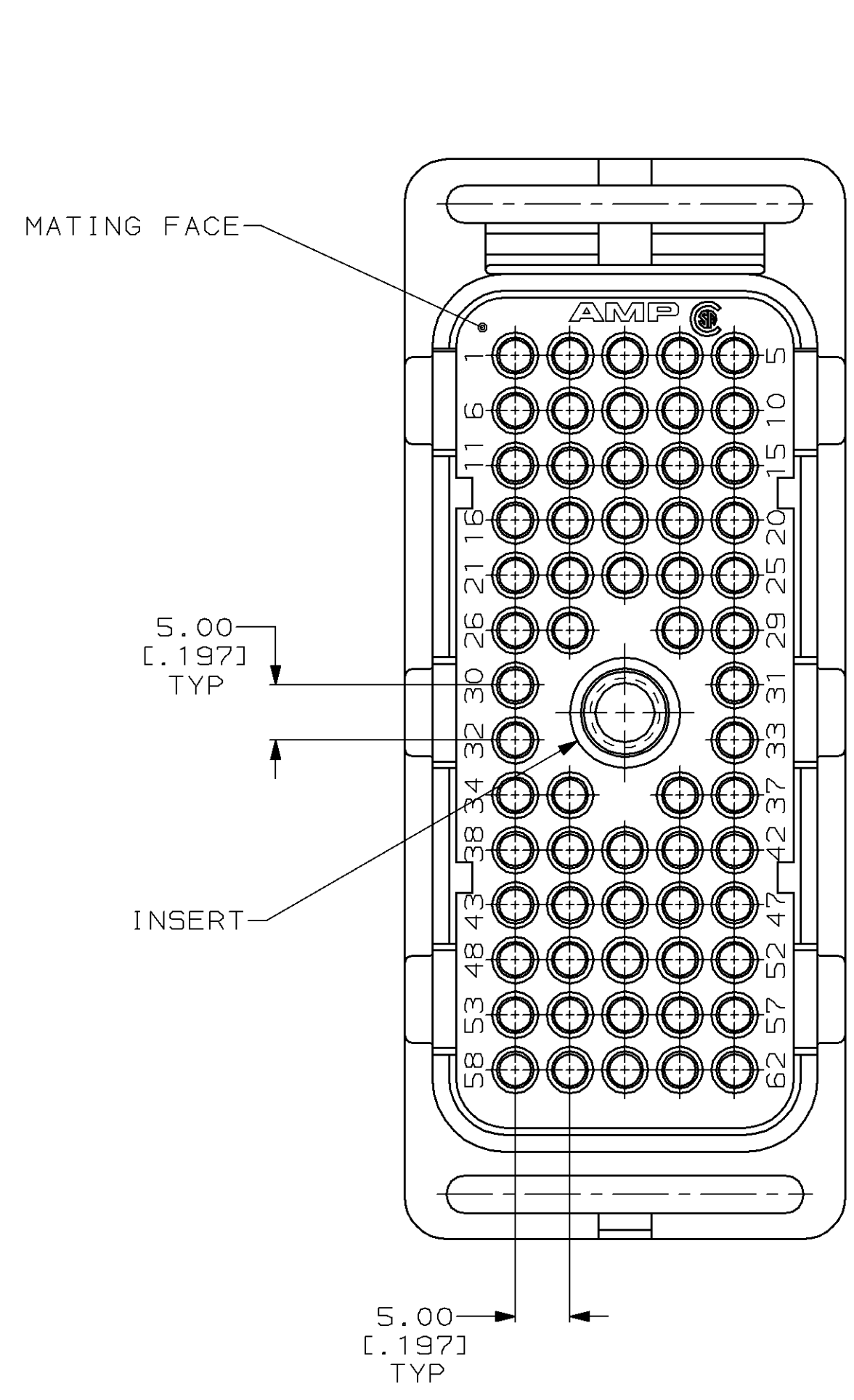


LOC		DIST		P		F		ZONE		LTR		REVISIONS			
BD	37											DESCRIPTION	DATE	APPD	
												B	REDRAWN WITHOUT CHANGE	10/26/92	-
												C	OBS -1, EC0020-942-94	01/09/95	AT
												D	REACTIVATE 208333-1 PER EC 0020-1369-95	28 NOV 95	MM



RECOMMENDED PANEL CUTOUT
 (PANEL THICKNESS: SEE TABLE)

- ① PANEL CUTOUT FOR REAR MOUNTED PIN BLOCK.
- ② PANEL CUTOUT FOR FRONT MOUNTED PIN BLOCK.

1.40 THRU 1.98 [0.055] [0.078]	②	37.85 [1.490]	16.05 [0.632]	44.45 [1.750]	70.36 [2.770]	85.55 [3.368]	1.75 [0.069]
0.79 THRU 1.40 [0.031] [0.055]	②	35.56 [1.400]	16.05 [0.632]	44.45 [1.750]	70.36 [2.770]	85.55 [3.368]	2.74 [0.108]
1.40 THRU 1.98 [0.055] [0.078]	①	32.36 [1.274]	13.46 [0.530]	41.86 [1.648]	68.15 [2.683]	82.85 [3.262]	1.75 [0.069]
0.79 THRU 1.40 [0.031] [0.055]	①	30.05 [1.183]	13.46 [0.530]	41.86 [1.648]	68.15 [2.683]	82.85 [3.262]	2.74 [0.108]
PANEL THICKNESS		A	B	C	D	E	F

THIS DRAWING IS A CONTROLLED DOCUMENT FOR AMP INCORPORATED. IT IS SUBJECT TO CHANGE AND THE CONTROLLING ENGINEERING ORGANIZATION SHOULD BE CONTACTED FOR THE LATEST REVISION.

DO NOT SCALE PRINT. UNLESS SPECIFIED DIMENSIONS IN mm [INCHES]		DR 10/26/92 D.6ELTZ		AMP Incorporated Harrisburg, PA 17105-3608	
TOLERANCES ON:	2 PLC DEC ± 0.51 [0.020]	CHK 12-21-92 R.STONE	APPD 12-21-92 A.TRAVIS	NAME	
ANGLES ± -		MATERIAL		RECEPTACLE HOUSING, 62 POSITION, W/FEMALE JACKSCREW THD, METRIMATE	
		THERMOPLASTIC, BLACK		SIZE	CAGE CODE
		INSERT, STAINLESS STEEL		D	00779
		FINISH		DRAWING NO	C-208333
				SCALE	2:1
		WEIGHT		SHEET	1 OF 1